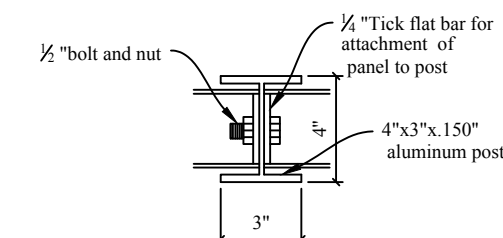
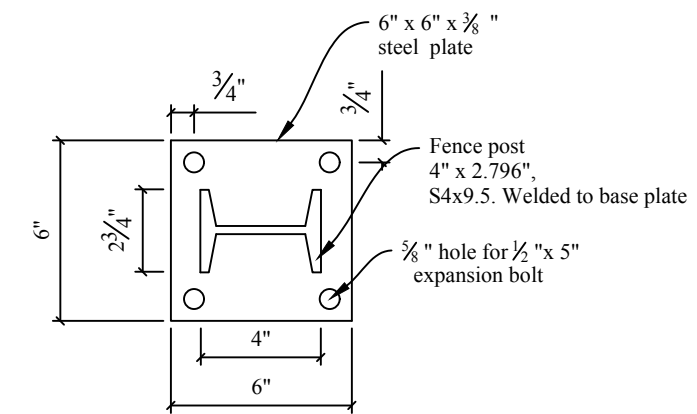


Steel Ornamental Fence Design #1 Detail

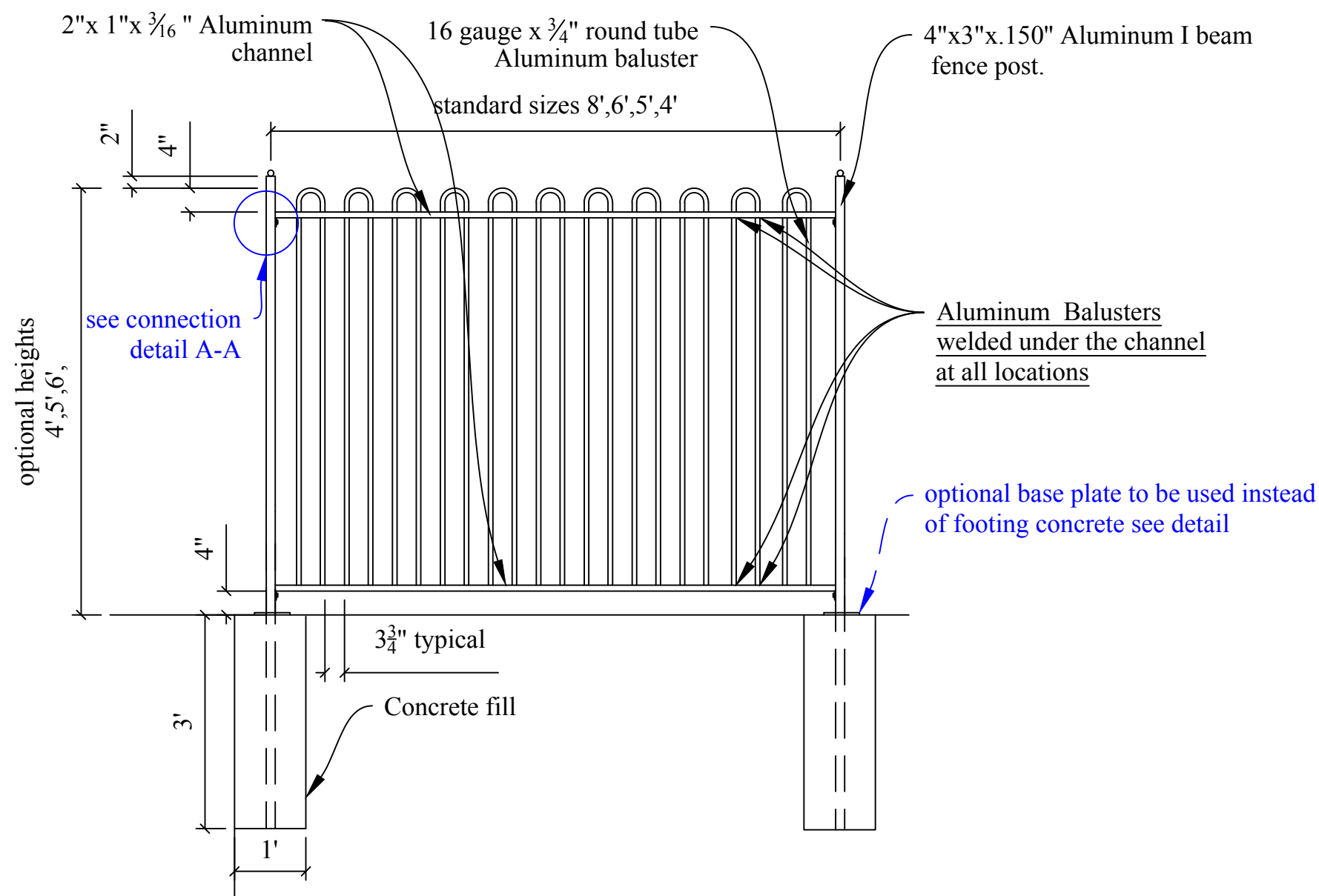
Scale: 1/2" = 1'-0"



Post Connection Detail A-A
Scale: 3" = 1'-0"

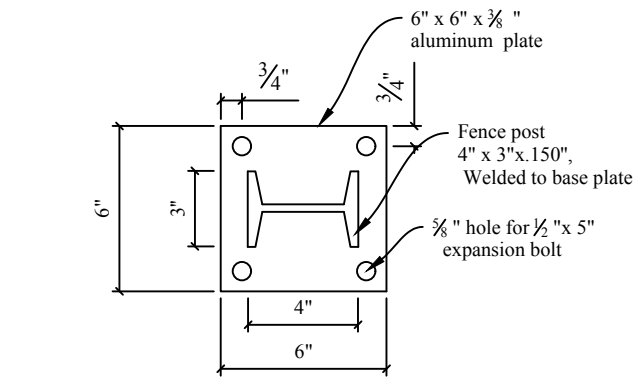


Optional Base Plate Detail
Scale: 3" = 1'-0"

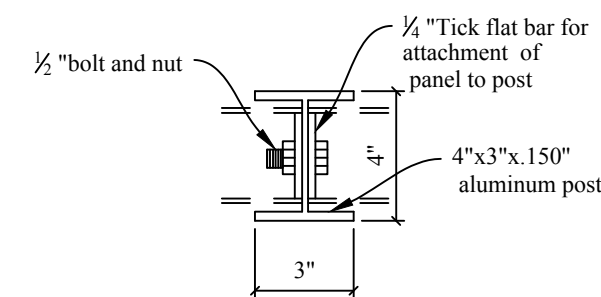


Aluminum Ornamental Fence Design #1 Detail

Scale: 1/2" = 1'-0"



Optional Base Plate Detail
Scale: 3" = 1'-0"



Post Connection Detail A-A
Scale: 3" = 1'-0"

Drawing Title :

**RAILING
LAYOUT PLAN**

Project :

JS WELDING FENCE

Drawing: 1000

Scale : As Shown
Date : 08 / 17 / 2015

SK-1