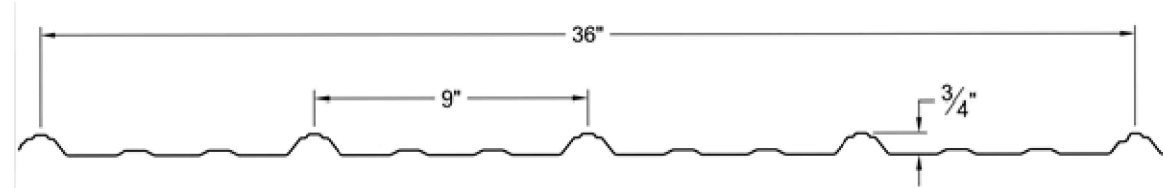
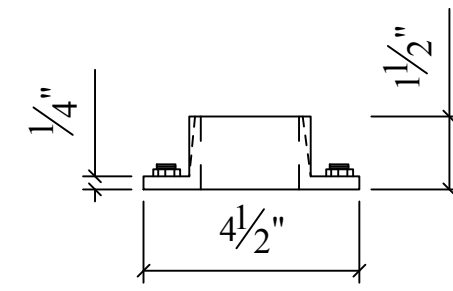


**Ornamental Balcony Divider**

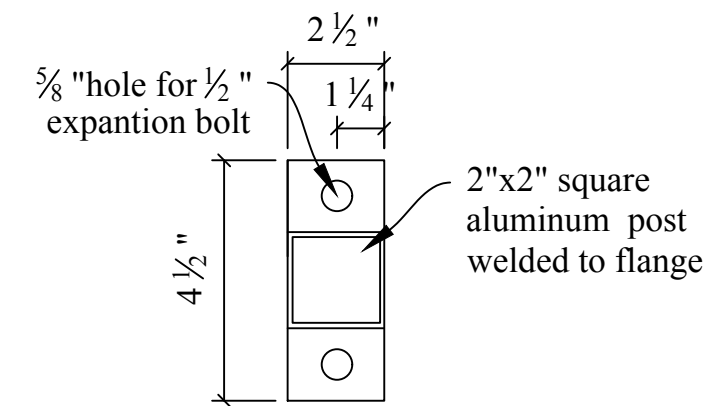
Scale: 1/2" = 1'-0"



**PANEL # PHM 26 GAUGE**



**post flange Detail #2**  
Scale: 3" = 1'-0"



**post flange Detail #2**  
Scale: 3" = 1'-0"



POST FLANGE #HP1020

**HIGH POINT JS-Welding**  
ARCHITECTURAL METAL FABRICATORS, LLC  
418 Route 206  
Montague, New Jersey 07827  
Tel: 973-293-8330  
Fax: 973-293-8331

Drawing Title :

**RAILING  
LAYOUT PLAN**

Project :

**JS WELDING FENCE**

Drawing: 1000

Scale : As Shown  
Date : 08 / 17 / 2015

**SK-1**